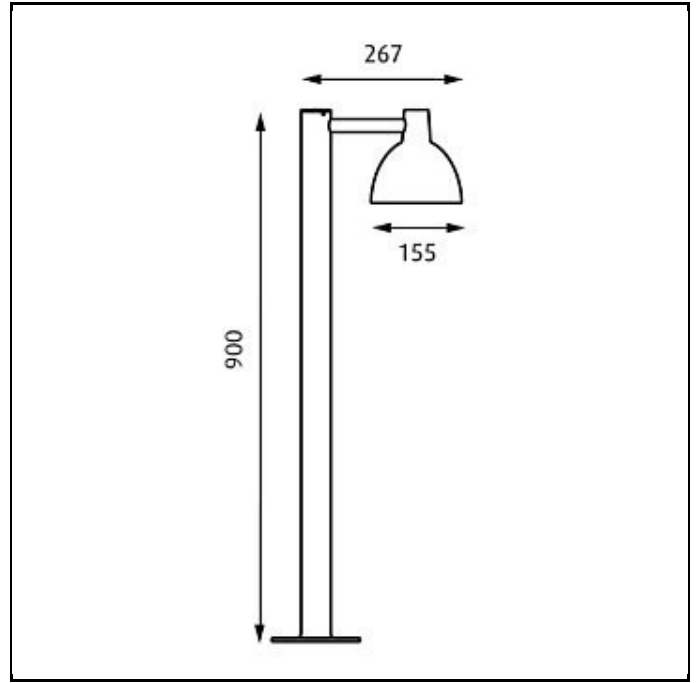


Toldbod 155 Bollard



Design Louis Poulsen Lighting A/S

Concept The light is directed 100% downwards and the shade has a matt white painted interior emitting a soft, diffused, comfortable light.

Finish Aluminium coloured with textured surface or black with textured surface, powder coated.

Material Fixture head: Chilled casting aluminium. Shield: Laser cut acrylic satine. Arm: Chilled casting aluminium. Post: Extruded aluminium.

Mounting Terminal block: 1x5x2.5mm². Cable entries: 2x bottom entries to Ø 17mm. Looping: Approved, max. 5x2,5mm².

Weight Max. 2kg.

Class Ingress protection IP44. Electric shock protection I w. ground. IK05.

Product Code	Light source	Finish	Pole/Post
TOL-155-B	1x40W E14	ALU COL TEXT BLK TEXT	POST W/BASE PLATE

Specification notes

The innovation of light sources is ongoing. Consequently we only inform about the max. wattages. On www.louispoulsen.com we update a list of recommendable light sources.

Info notes

Earth anchor to be ordered separately. Anchor bolts to be sourced locally.