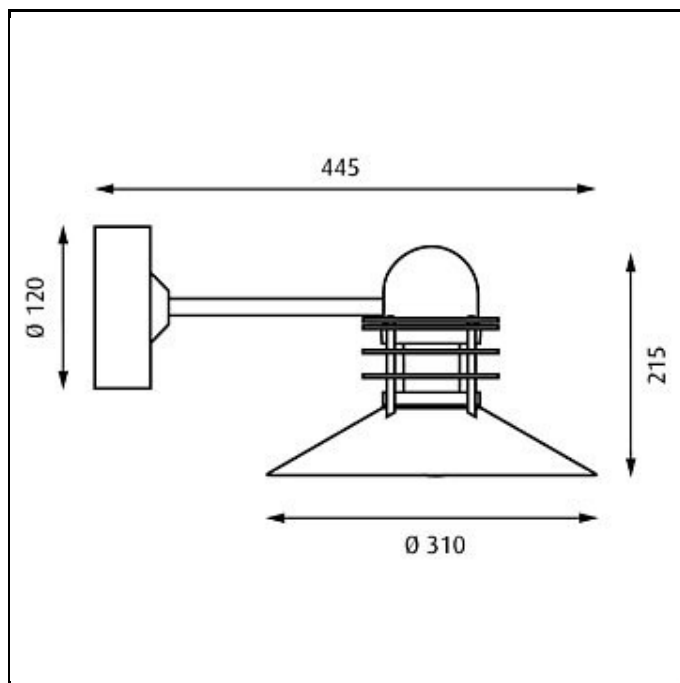
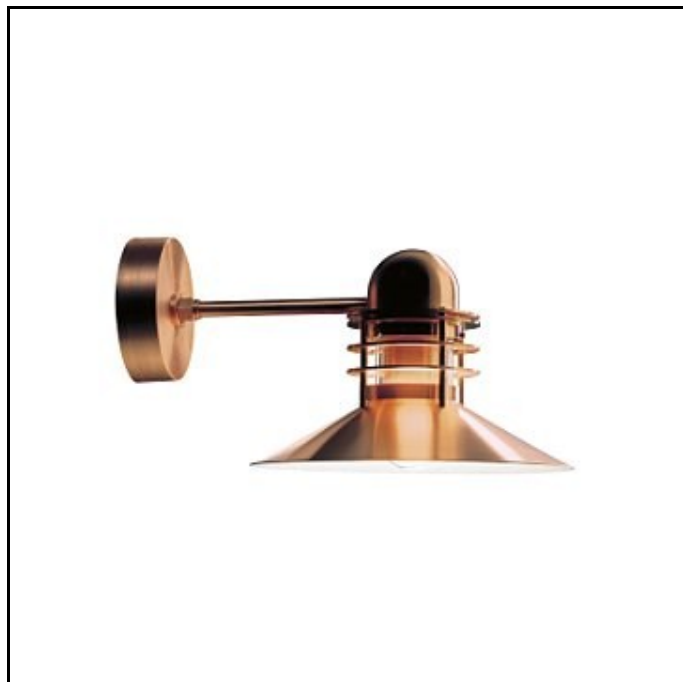


Nyhavn Wall



Design Alfred Homann & Ole V. Kjær

Concept The conical shade ensures comfortable light that is directed downwards in a wide beam. The shade interior has a white matt painted surface, ensuring uniform light distribution. The rings ensure that a stray light is controlled, and direct a small amount of light onto the top side of the shade for self-illumination.

Finish Copper, brushed or white, wet painted.

Material Shades: Spun aluminium or spun copper. Enclosure: Clear glass or partly frosted glass. Top: Spun aluminium or spun copper. Wall box: Die cast aluminium. Wall box cover: Spun aluminium or spun copper. Arm: Copperplated, red brass or steel.

Mounting Terminal block: 1x3x2.5mm². Cable entries: 2x bottom + 3x rear entries for Ø 10-14.5mm cable. Looping: Approved, max. 3x1,5mm².

Weight Max. 4.5kg.

Class Ingress protection IP44. Electric shock protection I w. ground.

Product Code	Light source	Finish	Class	Shield/Diffuser
NYH-W	1x100W E27	BRUSH COP	I	CLEAR
	1x10W TC-DEL G24q-1 HF	WHT		PART FROSTED

Specification notes

100W only available with clear glass. TC-DEL version only available with partly frosted glass. The innovation of light sources is ongoing. Consequently we only inform about the max. wattages. On www.louispoulsen.com we update a list of recommendable light sources.

Info notes

The control gear is placed in the fixture head. Please note that the copper versions are untreated in order to achieve a verdigris finish over time. This can result in an inconsistent surface finish prior to the product achieving full patina.