

BELVEDERE LARGE SPOT FI

Mounting	Base on ground
Lamps description	1 x 35W HIT-T G12 9°
Environment	Outdoor
Finish	Dark brown
Technical description	Device for exterior lighting with protection degree IP55 thought for situations that require a strongly detailed light with an adjustable projector or with lighting areas of a certain size, for instance car parks or external residential areas, available in stick version or with double or simple head. In this case you can choose different possibilities of installation on floor through the choice of specific accessories. Discharge lamps G12 35W (excluded). The main components are made of low-copper-content aluminium alloy on which some galvanic treatments to protect against saline aggression have been applied. Other important features are the presence of a watertight box IP 68, with anti-humidity gel to connect to the power supply, apart from the watertight cable gland. Insulation class I. Electronic ballast is included.

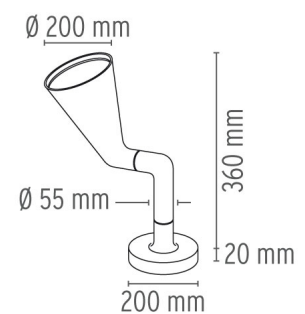


Belvedere Large Spot FI
designed by Antonio Citterio with
Toan Nguyen

Device for exterior lighting.

● F0950026 Dark brown

DIMENSIONS



ELECTRICAL

Control gear availability	Included
Control gear mounting	Integral
Control gear type	Electronic
Emergency	Without
Voltage (V)	220/240

PHYSICAL

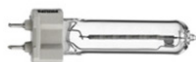
Diameter (mm)	200
Construction material	Aluminum
Weight (kg)	7.20



CERTIFICATIONS



Belvedere Large Spot FI . Lamps



HIT-T 35W G12

Lamp Watt:
35 W

Lamp category:
Metal halide

Socket:
G12

Lamp type:
HIT-T



Belvedere Large Spot FI designed by Antonio Citterio with Toan Nguyen

Device for exterior lighting.

● F0950026 Dark brown

DIMENSIONS



CERTIFICATIONS

