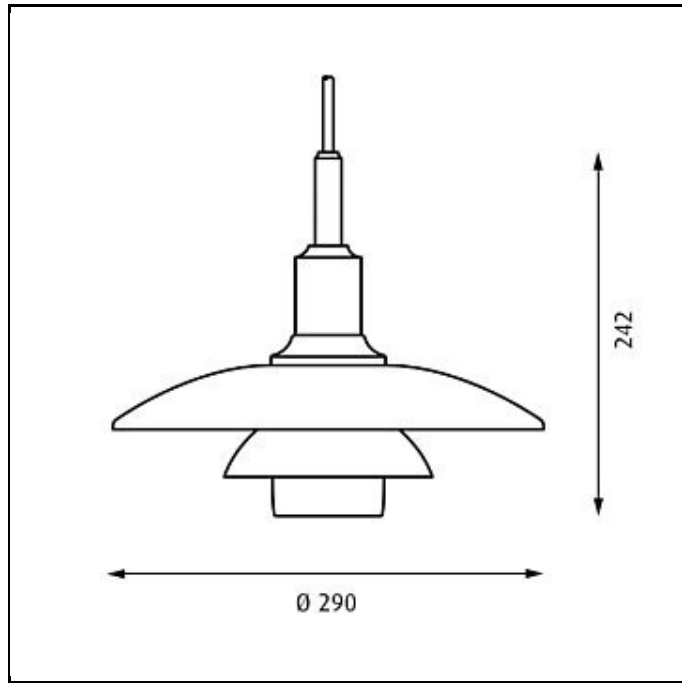


PH 3/2 Pendant



Design Poul Henningsen

Concept The fixture is designed based on the principle of a reflective three-shade system, which directs the majority of the light downwards. The shades are made of mouth-blown opal three-layer glass, which is glossy on top and sandblasted matt on the underside, giving a soft and uniform light distribution.

Finish Black chrome plated or high lustre chrome plated. White opal glass.

Material Shades: Mouth-blown white opal glass. Suspension: Black chrome plated or high lustre chrome plated, brass.

Mounting Suspension type: Cable 3x0,75mm². Canopy: Yes. Cable length: 3m.

Weight Max. 1.5kg.

Class Ingress protection IP20. Electric shock protection I w. ground.

Product Code	Light source	Finish	Cable type
PH32-P	1x75W E27	BLACK CHROME PLATED HIGH LUSTRE CHROME PLATED	BLK TEX

Specification notes

The innovation of light sources is ongoing. Consequently we only inform about the max. wattages. On www.louispuolsen.com we update a list of recommendable light sources.