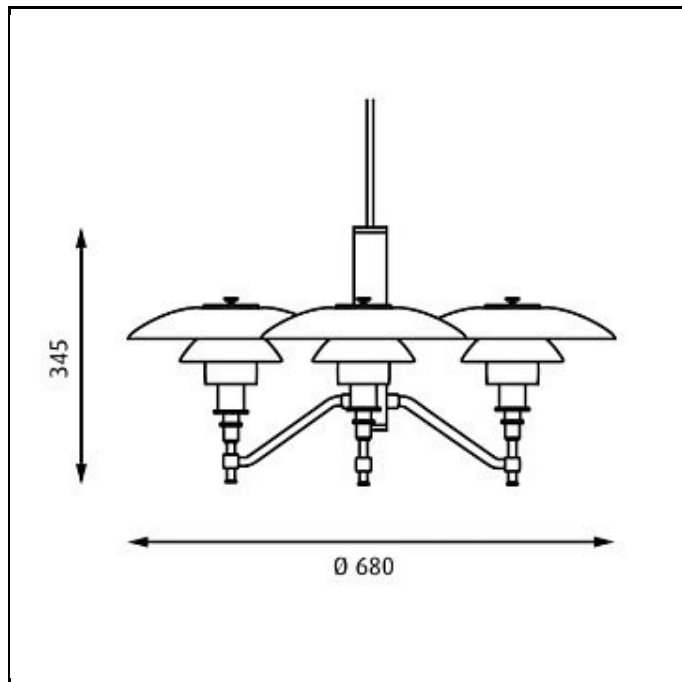


# PH 3/2 Academy



**Design** Poul Henningsen

**Concept** The three lights on the fixture are designed based on the principle of a reflective threeshade system which directs the majority of the light downwards. The shades are made of mouth-blown opal three-layer glass, which is glossy on the top and sandblasted matt on the inside, giving a soft and diffuse light distribution.

**Finish** High lustre chrome plated. White opal glass.

**Material** Shades: Mouth-blown white opal glass. Frame: High lustre chrome plated, extruded brass. Suspension: High lustre chrome plated, extruded brass.

**Mounting** Suspension type: Cable 2x0,75mm<sup>2</sup>. Canopy: Yes. Cable length: 4m.

**Weight** Max. 6kg.

**Class** Ingress protection IP20. Electric shock protection II w/o ground.

Product Code	Light source	Finish	Cable type
PH32-AC-P	3x40W E14	HIGH LUSTRE CHROME PLATED	BLK TEX

**Specification notes**

The innovation of light sources is ongoing. Consequently we only inform about the max. wattages. On [www.louispuolsen.com](http://www.louispuolsen.com) we update a list of recommendable light sources.