

# FLOS

2620

<b>Mounting</b>	Pendant
<b>Type of ceiling pendant</b>	Suspension cable
<b>Lamps description</b>	2620 CHIP LED 3000K - 11200lm TOTAL - CRI85 - 200W
<b>Environment</b>	Indoor
<b>Finish</b>	White
<b>Technical description</b>	Hanging lamp with indirect light. Stem and rings are in aluminium. The diffuser is in double satinized methacrylate. The power cable and the steel cable are 4 metres long. The power supply can be dimmed. The ceiling rose is covered with a mirrored disc.

## ELECTRICAL

<b>Emergency</b>	Without
------------------	---------

## PHYSICAL

<b>Supply</b>	Terminal block
<b>Cord length(mm)</b>	4000
<b>Construction material</b>	Aluminum, Methacrylate, Steel
<b>Weight (kg)</b>	18,0



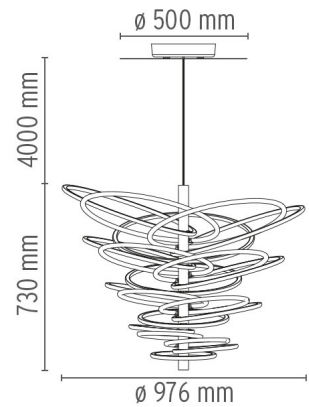
2620

designed by Ron Gilad

Hanging lamp with indirect light

● F0031009 White

## DIMENSIONS

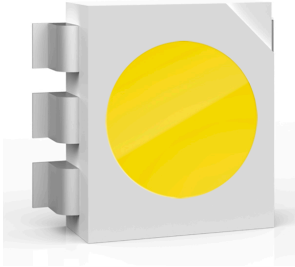


## CERTIFICATIONS



# FLOS

## 2620 . Lamps



**2620 CHIPLLED 3000K**  
11200lm TOTAL CRI85

**200W**  
Lamp Watt:  
200 W

Lamp category:  
LED

Color temperature (K):  
3000 °K

Lamp type:  
LED



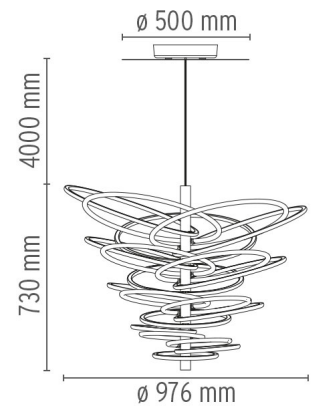
### 2620

designed by Ron Gilad

Hanging lamp with indirect light

● F0031009 White

### DIMENSIONS



### CERTIFICATIONS

