

LADY COSTANZA

design Paolo Rizzatto, 2008

**LUCE
PLAN**

Type: Floor/Suspension

Lamps: D13E d. - D13 Ea d. max 205W E27
105/140W HSGSA E27 energy saver


D13E i. - D13 Ea i. -
D13E sas max 205W E27
105/140W HSGSA E27 energy saver
20/23W FB E27

Product use: Indoor

Materials: Aluminium stem, polycarbonate shade

Colors: Structure in alu, black
Shade in white, red, black

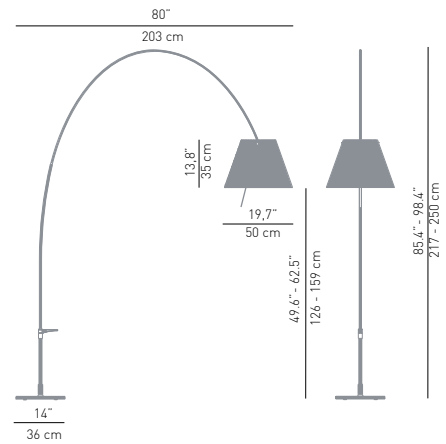
Description: The telescopic control of the stem and the 360° rotation on the base bring an elegant adaptability to Lady Costanza, allowing the user to change the height and direction of the diffuser. The extraordinary lightness of the structure and handle on the base also make it easy to move the lamp. Lady Costanza is now proposed in suspension version

Insulation class: 

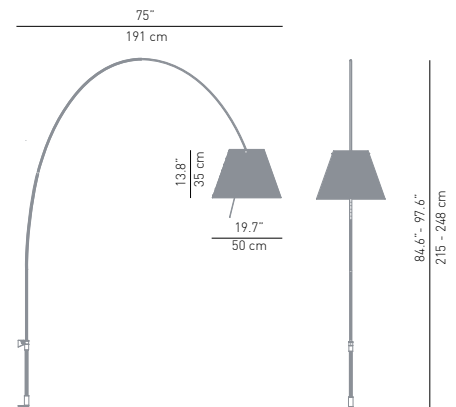
Reference code: Structure

D13E d.	1D13GED00020	alu
	1D13GED00017	black
D13E i.	1D13GEI00020	alu
	1D13GEI00017	black
D13Ea d.	1D13GEDA0020	alu
D13Ea i.	1D13GEIA0020	alu
D13E sas	1D13GESA0020	
Shade		
D13E/1	1D13GE/01002	white
	1D13GE/01001	black
	1D13GE/01008	red

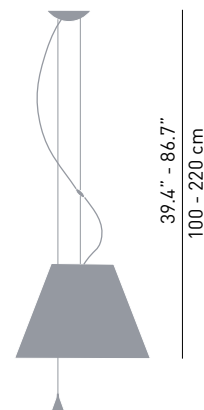
D13 E d. (dimmer) - D13 E i. (on/off switch)



D13 Ea d. (dimmer) - D13 Ea i. (on/off switch)



D13E sas



weight 0,96 Kg
ceiling rose \varnothing 11,6cm - h. 3 cm