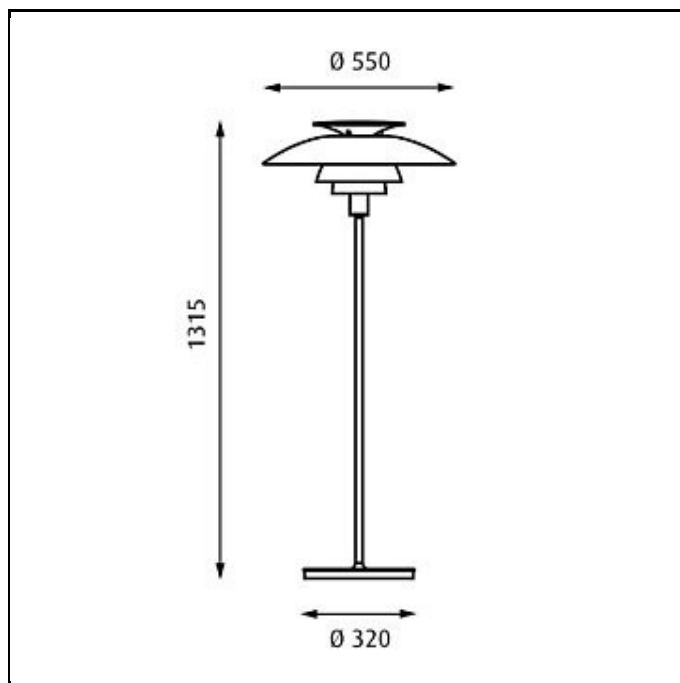


# PH 80



**Design** Poul Henningsen

**Concept** The fixture emits diffuse and symmetrical light. The majority of the light is directed downwards, and the opal acrylic shades provide comfortable room lighting. The red hue of the top reflector helps giving the light a warmer glow.

**Finish** White opal acrylic. High lustre chrome plated.

**Material** Shades: High pressure moulded white opal acrylic. Top shade: Black, high pressure moulded polycarbonate. Base: Black, high pressure moulded ABS. Stem: High lustre chrome plated, steel.

**Mounting** Cable type: Plastic cord with plug. Cable length: 2.6m. Light control: On/off switch on cord.

**Weight** Max. 7.5kg.

**Class** Ingress protection IP20. Electric shock protection II w/o ground.

Product Code	Light source	Finish	Switch/Plug
PH80-F	1x100W E27	WHT OPAL ACRYL	W/ON/OFF SWITCH

**Specification notes**

The innovation of light sources is ongoing. Consequently we only inform about the max. wattages. On [www.louispuolsen.com](http://www.louispuolsen.com) we update a list of recommendable light sources.