


COUNTERBALANCE SPOT

design Daniel Rybakken, 2014

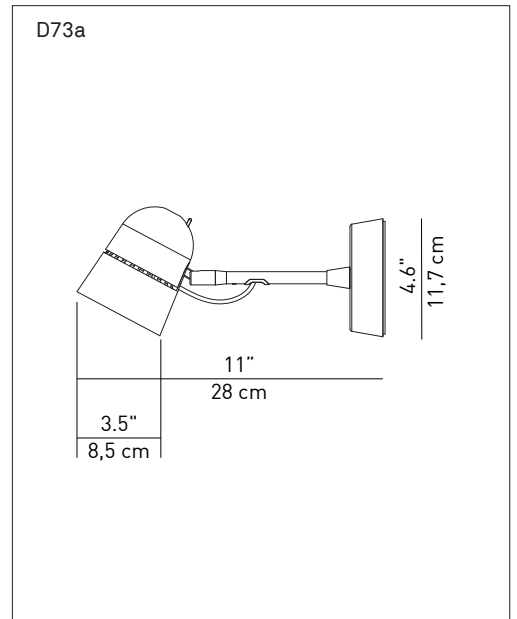
**LUCE
PLAN**

Type: Ceiling / wall
Lamps: LED 12W - 800 lm @ 2700K - CRI 90
dimmable with wall control
Product use: Indoor
Materials: aluminium head, steel stem
Colors: Black, grey
Description: A suspended light that moves freely in space,
remaining stable and balanced in any position.

Insulation class: 

Reference code: Structure
D73a 1D730A000001 black
 1D730A000004 grey

EEC: A



The LED lamps cannot be changed in the luminaire