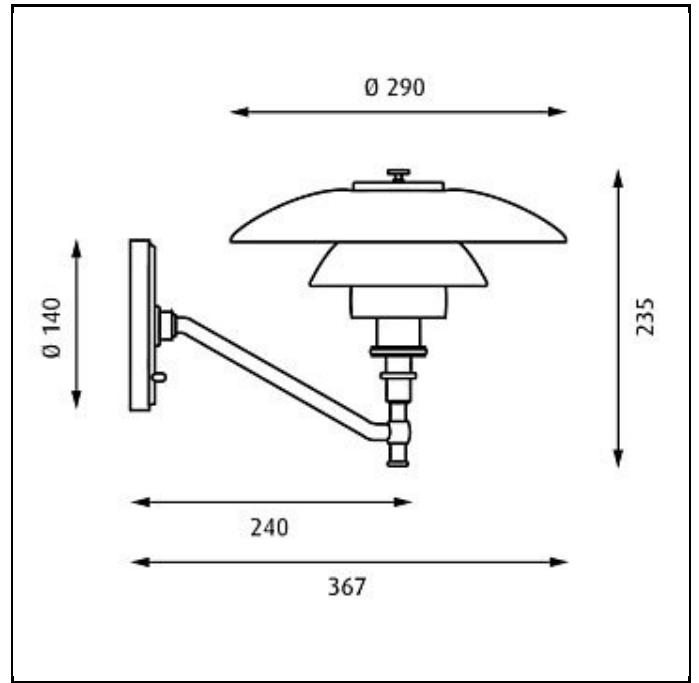


# PH 3/2 Wall



**Design** Poul Henningsen

**Concept** The fixture is designed based on the principle of a reflective three-shade system, which directs the majority of the light downwards. The shades are made of mouth-blown opal three-layer glass, which is shiny on the top and sandblasted matt on the inside, giving a soft and diffuse light distribution.

**Finish** White opal glass. High lustre chrome plated.

**Material** Shades: Mouth-blown white opal glass. Top plate: High lustre chrome plated, spun brass. Wall box: High lustre chrome plated, spun brass. Arm: High lustre chrome plated, brass.

**Mounting** Cable length: 2.9m. Light control: On wall plate.

**Weight** Max. 2.5kg.

**Class** Ingress protection IP20. Electric shock protection II w/o ground.

Product Code	Light source	Finish
PH32-W	1x40W E14	WHT OPAL GLASS

**Specification notes**

The innovation of light sources is ongoing. Consequently we only inform about the max. wattages. On [www.louispuolsen.com](http://www.louispuolsen.com) we update a list of recommendable light sources.