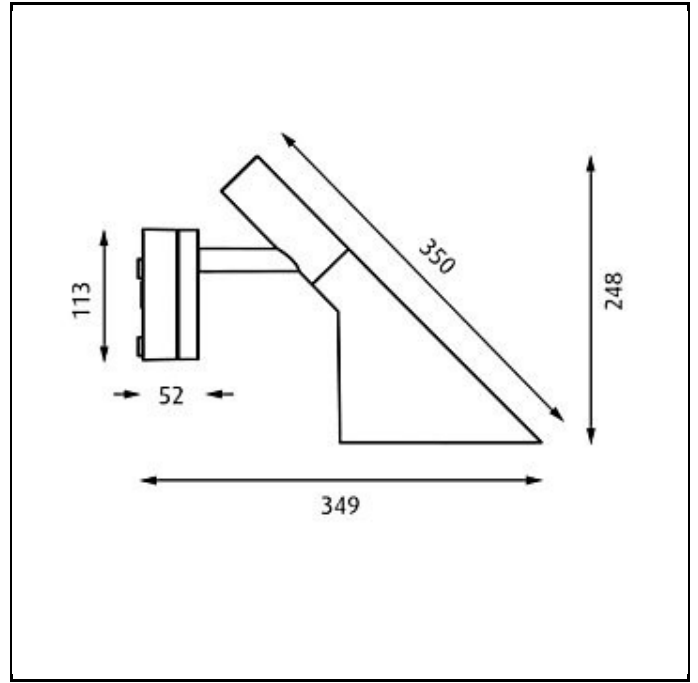


AJ 50 Wall



Design Arne Jacobsen

Concept The fixture emits downward directed light. The shade is painted white on the inside to ensure a soft comfortable light distribution.

Finish White, black or aluminium coloured with textured surface, powder coated.

Material Shade: Die cast aluminium. Wall box: Die cast aluminium. Arm: Die cast aluminium.

Mounting Terminal block: 1x3x2.5mm². Cable entries: 2x bottom + 3x rear entries for Ø 10-14.5mm cable. Looping: Approved, max. 3x1,5mm².

Weight Max. 2kg.

Class Ingress protection IP65. Electric shock protection I w. ground. IK06.

Product Code	Light source	Finish
AJ-50-W	8W LED 3000K	ALU COL TEXT BLK TEXT WHITE TEXT

Specification notes

1. AJ 50 Wall has a LED light source that can be connected directly to the main power supply. 2. All LED efficiency information are measured as system power.

Info notes

The innovation of the LED technology is constant. The specifications mentioned are based on present technology. Please find updated info on products on our website www.louispoulsen.com.