

FLOS

IC C/W 2

Mounting	Ceiling and wall
Lamps description	1 x 205W E27 HSGS
Environment	Indoor
Finish	Brushed brass, Chrome
Technical description	Wall-ceiling lamp providing diffused light. Frame in brass, brushed and transparent varnished or chrome steel. Blown glass opal diffuser.



ELECTRICAL

Emergency	Without
------------------	---------

PHYSICAL



Construction material	Blown glass, Brass, Steel
Weight (kg)	3.7



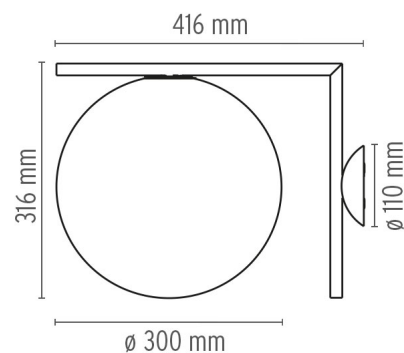
IC C/W 2

designed by Michael Anastassiades

Wall-ceiling lamp providing diffused light.

 F3179057	Chrome
 F3179059	Brushed brass

DIMENSIONS



CERTIFICATIONS



IC C/W 2 . Lamps



HSGS 205W E27

Lamp Watt:
205 W

Lamp category:
Halogen mains

Socket:
E27


Lamp type:
HSGS



IC C/W 2

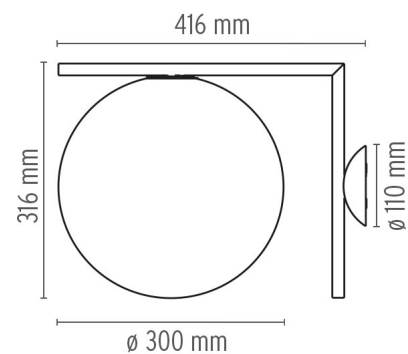
designed by Michael Anastassiades

Wall-ceiling lamp providing diffused light.

 F3179057 Chrome

 F3179059 Brushed brass

DIMENSIONS



CERTIFICATIONS

