

BERENICE LED

design Alberto Meda/Paolo Rizzatto, 2007

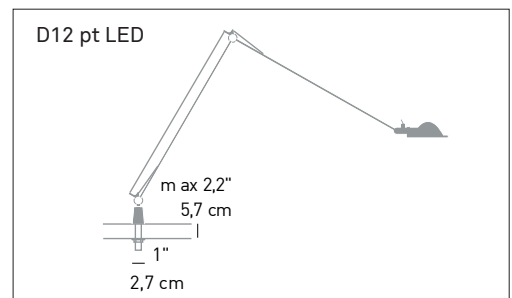
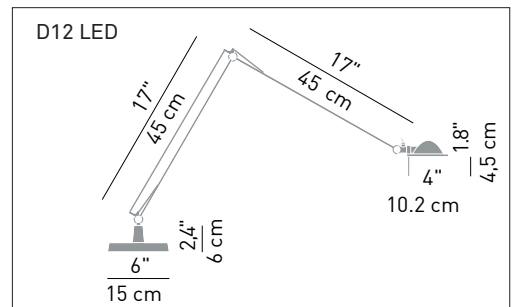


- Type: Table
- Lamps: LED warm white 8W
Power supply 24V 3000 °K*
- Product use: Indoor
- Materials: Aluminium body, die-cast aluminium metal parts, die-cast magnesium head.
- Colors: Structure in aluminium, black
- Description: A new light source for a Luceplan classic. Berenice comes with a new high-efficiency LED 8W source capable of providing an extraordinary quantity of energy-saving light.

Insulation class:

Reference code: Structure
D12 LED 1D120=NCL020 alu
 1D120=NCL001 black

D12pt LED 1D120=NPL020 alu
 1D120=NPL001 black



*The LED lamps cannot be changed in the luminaire

