

GLO-BALL BASIC ZERO SWITCH

Mounting	Table
Lamps description	1 x MAX 60W E14 HSGS
Environment	Indoor
Finish	White
Technical description	Table/desk lamp providing diffused light. Diffuser consisting of an externally acidetched, hand blown, flashed opaline glass and a die-cast aluminum threaded ring nut with alodine plating finish. 30% fiberglass reinforced injection-molded polyamide base. Gray painted, die-cast aluminum diffuser support.



ELECTRICAL

Emergency	Without
Voltage (V)	220/240

PHYSICAL

Supply	Power cord
Cord length(mm)	1900
Construction material	Aluminum, Blown glass, Plastic
Weight (kg)	1



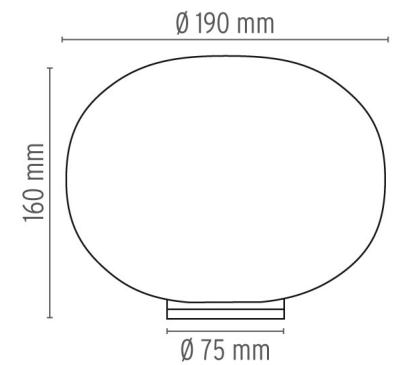
Glo-Ball Basic Zero Switch

designed by Jasper Morrison

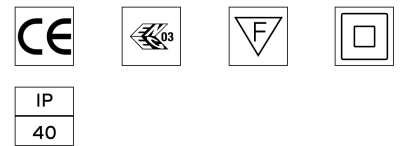
Table/desk lamp providing diffused light

● F3331009 White

DIMENSIONS



CERTIFICATIONS



Glo-Ball Basic Zero Switch . Lamps



HSGS 60W E14

Lamp Watt:
60 W

Lamp category:
Halogen mains

Socket:
E14

Lamp type:
HSGS



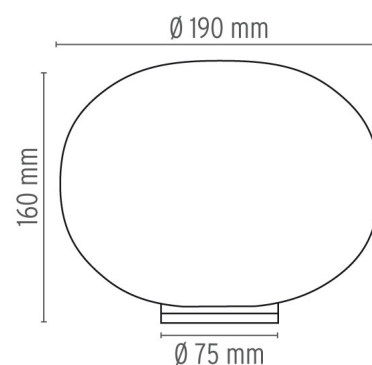
Glo-Ball Basic Zero Switch

designed by Jasper Morrison

Table/desk lamp providing diffused light

● F3331009 White

DIMENSIONS



CERTIFICATIONS

