

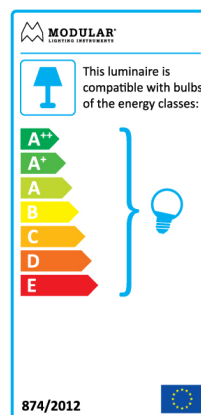
K -135 67 MR11 GE

Every project needs a basic spotlight for general lighting. K is our suggestion for those who like to keep things simple. Available with a diameter of 80 or 89 mm, a flat or sloping edge and in aluminium or with a white or black structure, K integrates easily into any room. Choose the directional model for a greater interplay of light. Available with halogen and LED.

Art. Nr. 10271105

SPECIFICATIONS

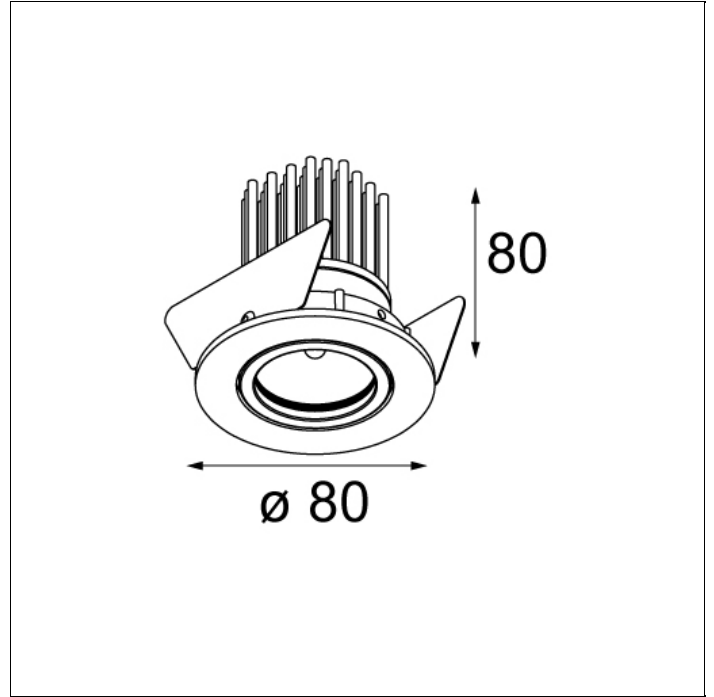
| | |
|----------------|---------------------------|
| Lamp | 1x QR-CBC 35 Gu4 max. 35W |
| Gear / Transfo | transfo not incl. |
| Cut-out size | ø 60 h 90 |
| Weight | 0.09kg |
| Min. Distance | 0.5 m |
| Power supply | 12V |
| IP | IP20 |
| Glow Wire Test | 960° |
| CRI | 100 |
| Lumen | 430 Lm |
| Efficacy | 12 Lm/W |
| UGR | 27 |



This label is available in other languages:
<http://supermodular.com/assets/TYPE3.pdf>

| | |
|-------------|----------|
| alu | 10271105 |
| black | 10271102 |
| white struc | 10271101 |





K -0 80 LED GE

Every project needs a basic spotlight for general lighting. K is our suggestion if you like to keep things simple. Available with a diameter of 70 or 80 mm, a flat or sloping edge and in aluminium or with a white or black structure, K integrates easily into any room. Choose the directional model for a greater interplay of light. Available with halogen and LED.

Art. Nr. 10274105

SPECIFICATIONS

| | |
|-----------------|--------------------|
| Lamp | 1x LED Array 10.5W |
| Gear / Transfo | LED gear not incl. |
| Cut-out size | ø 70 h 90 |
| Weight | 0.45kg |
| Min. Distance | 0.1 m |
| Power supply | 500mA/ 21V DC |
| IP | IP20 |
| Glow Wire Test | 960° |
| Source lifetime | 50000 hrs |
| CRI | 92 |
| Lumen | 740 Lm |
| Efficacy | 70 Lm/W |
| UGR | 20 |

| | WARM WHITE 2700K / CRI 92+ | | NEUTRAL WHITE 4000K / CRI 82+ | |
|-------------|-------------------------------|-----------------|----------------------------------|---------------|
| | FLOOD 50° | MEDIUM 25° | FLOOD 50° | MEDIUM 25° |
| alu | 10274005 | 10274105 | 10274205 | 10274305 |
| black | 10274002 | 10274102 | 10274202 | 10274302 |
| white struc | 10274001 | 10274101 | 10274201 | 10274301 |

MODULAR
LIGHTING INSTRUMENTS

This luminaire contains built-in LED lamps.

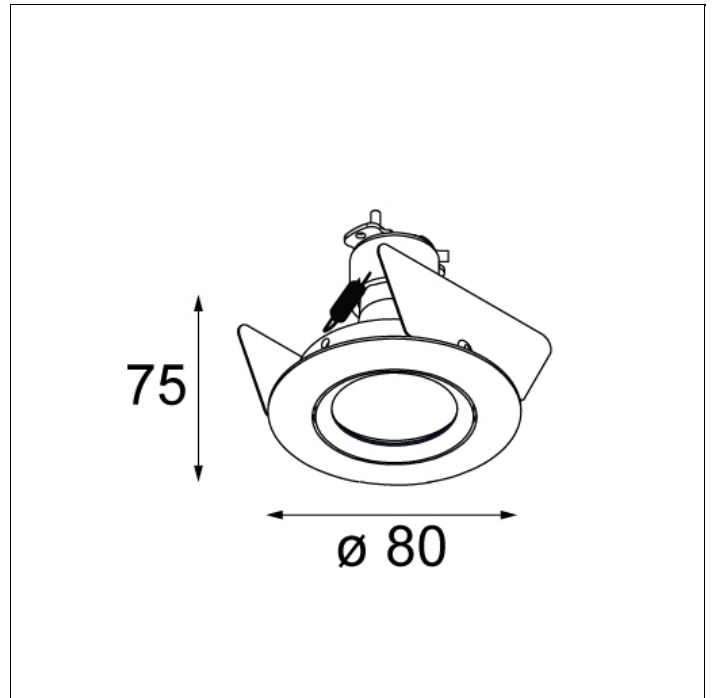
A+
A
B
C
D
E

LED

The lamps cannot be changed in the luminaire.

874/2012





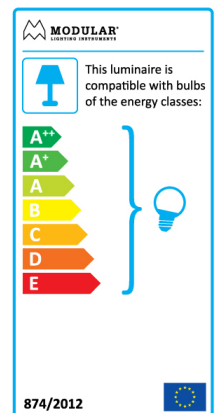
K -2 80 GU10

Every project needs a basic spotlight for general lighting. K is our suggestion if you like to keep things simple. Available with a diameter of 70 or 80 mm, a flat or sloping edge and in aluminium or with a white or black structure, K integrates easily into any room. Choose the directional model for a greater interplay of light. Available with halogen and LED.

Art. Nr. 10275205

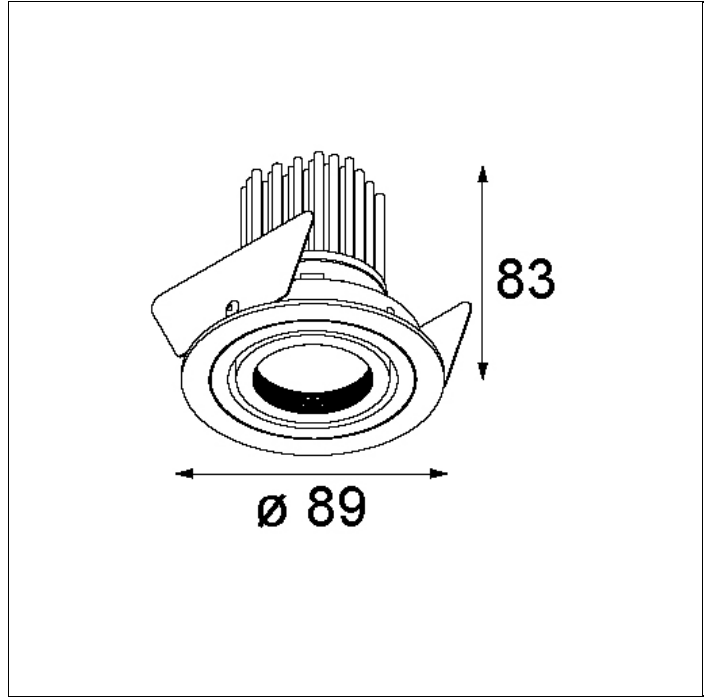
SPECIFICATIONS

| | |
|----------------|---------------------------|
| Lamp | 1x QPAR 16 Gu10 max. 50W |
| Gear / Transfo | transfo/gear not required |
| Cut-out size | ø 70 h 150 |
| Weight | 0.08kg |
| Min. Distance | 0.5 m |
| Power supply | 230V |
| IP | IP20 |
| Glow Wire Test | 960° |
| CRI | 100 |
| Lumen | 404 Lm |
| Efficacy | 8 Lm/W |
| UGR | 20 |



| | |
|-------------|----------|
| alu | 10275205 |
| black | 10275202 |
| white struc | 10275209 |





K -1 89 LED GE

Every project needs a basic spotlight for general lighting. K is our suggestion if you like to keep things simple. Available with a diameter of 70 or 80 mm, a flat or sloping edge and in aluminium or with a white or black structure, K integrates easily into any room. Choose the directional model for a greater interplay of light. Available with halogen and LED.

Art. Nr. 10274505

SPECIFICATIONS

| | |
|-----------------|--------------------|
| Lamp | 1x LED Array 10.5W |
| Gear / Transfo | LED gear not incl. |
| Cut-out size | ø 80 h 95 |
| Weight | 0.48kg |
| Min. Distance | 0.1 m |
| Power supply | 500mA/ 21V DC |
| IP | IP20 |
| Glow Wire Test | 960° |
| Source lifetime | 50000 hrs |
| CRI | 92 |
| Lumen | 740 Lm |
| Efficacy | 70 Lm/W |
| UGR | 21 |

| | WARM WHITE 2700K / CRI 92+ | | NEUTRAL WHITE 4000K / CRI 82+ | |
|-------------|-------------------------------|-----------------|----------------------------------|---------------|
| | FLOOD 50° | MEDIUM 25° | FLOOD 50° | MEDIUM 25° |
| alu | 10274405 | 10274505 | 10274605 | 10274705 |
| black | 10274402 | 10274502 | 10274602 | 10274702 |
| white struc | 10274401 | 10274501 | 10274601 | 10274701 |

MODULAR
LIGHTING INSTRUMENTS

This luminaire contains built-in LED lamps.

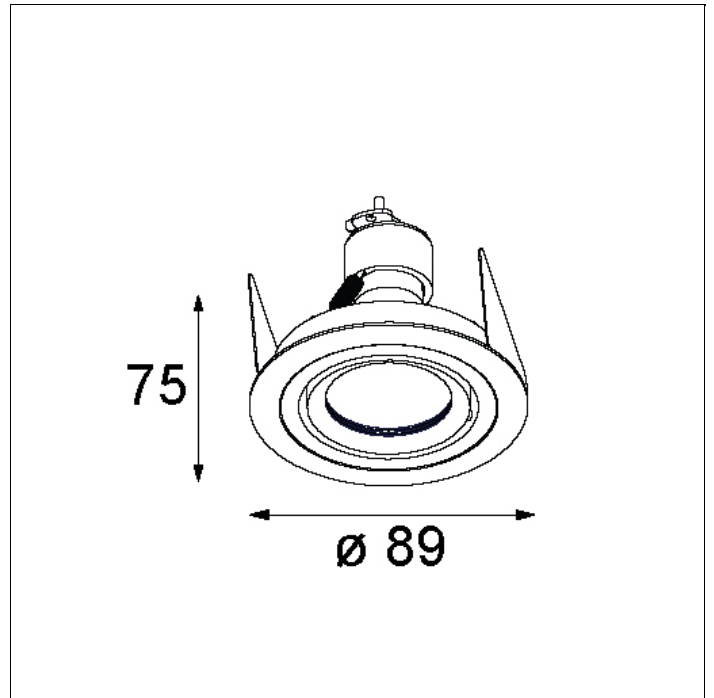
A+
A
B
C
D
E

LED

The lamps cannot be changed in the luminaire.

874/2012





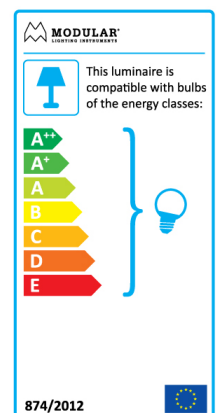
K -3 89 GU10

Every project needs a basic spotlight for general lighting. K is our suggestion if you like to keep things simple. Available with a diameter of 70 or 80 mm, a flat or sloping edge and in aluminium or with a white or black structure, K integrates easily into any room. Choose the directional model for a greater interplay of light. Available with halogen and LED.

Art. Nr. 10275305

SPECIFICATIONS

| | |
|----------------|---------------------------|
| Lamp | 1x QPAR 16 Gu10 max. 50W |
| Gear / Transfo | transfo/gear not required |
| Cut-out size | ø 80 h 150 |
| Weight | 0.13kg |
| Min. Distance | 0.5 m |
| Power supply | 230V |
| IP | IP20 |
| Glow Wire Test | 960° |
| CRI | 100 |
| Lumen | 404 Lm |
| Efficacy | 8 Lm/W |
| UGR | 20 |



| | |
|-------------|----------|
| alu | 10275305 |
| black | 10275302 |
| white struc | 10275309 |

