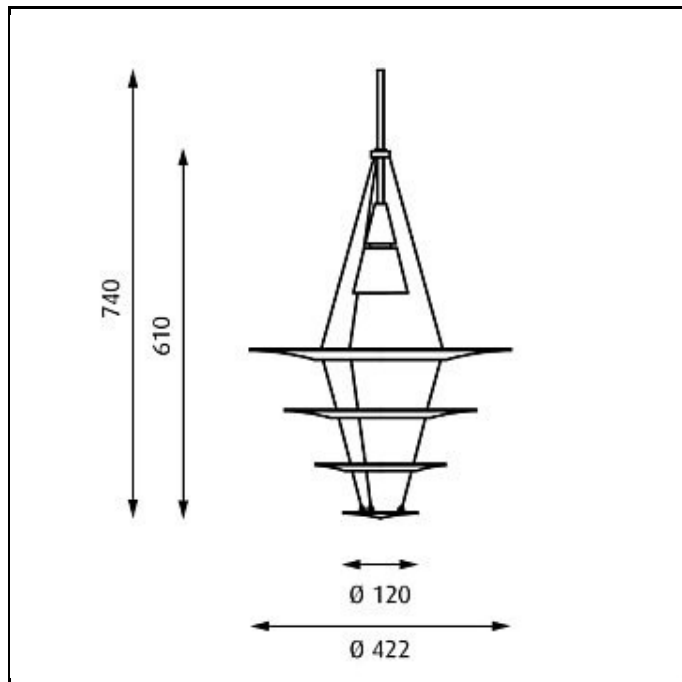


Enigma 425



Design Shoichi Uchiyama

Concept The fixture emits glare-free, soft, comfortable downward light. The shade design ensures even illumination of the surface. The matt upper surface diffuses the light, while the shiny lower surface ensures optimal reflection.

Finish Aluminium, brushed and coated. Matt acrylic.

Material Cone: Brushed & lacquered aluminium. Wire: Stainless steel. Shades: Matt acrylic. Pendant tube: Extruded brushed aluminium.

Mounting Suspension type: Cable 2x0,75mm². Canopy: Yes. Cable length: 3m.

Weight Max. 1kg.

Class Ingress protection IP20. Electric shock protection II w/o ground.

Product Code	Light source	Finish	Cable type
ENIG-425-P	1x50W QPAR GU10	BR. ALU	TRANSP CABLE